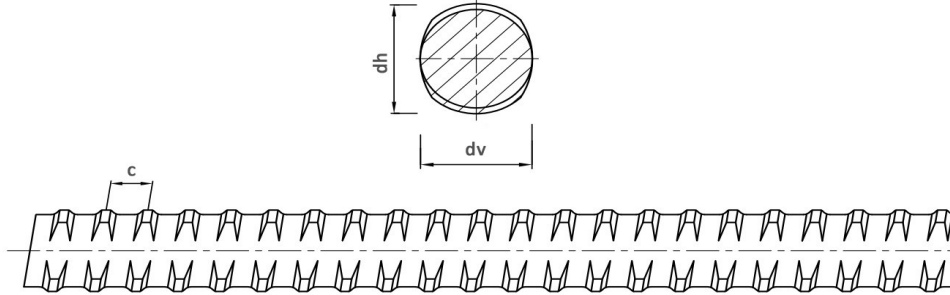


Hot Rolled Thread Bar Φ 63.5mm Left Hand Thread 热轧 Φ 63.5mm 左旋



dia [mm]	dh [mm]	dv [mm]	h [mm]	b [mm]	c [mm]	r	α
63.5	63.5	61.2	3	12	22	2.5	84°



Grade/Property	555/700 [Mpa]	930/1080 [Mpa]
Yield/Tensile [KN]	1760 / 2215	2945/3420
Elongation [A%]	10	6
Weight [KG/M]	26.50	
A [mm ²]	3167	

Applications

Ground anchor
Geotechnical

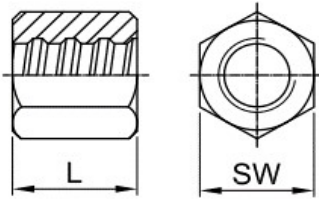
Surface Treatment

- *Zinc Plated
- *Hot Dipped Galvanized
- *Epoxy coating
- *H.D.G+Epoxy coating

Grade 555/700 Mpa

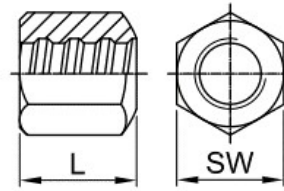
Flat Hex Nut

SW100*145mm,1.89kg,45#



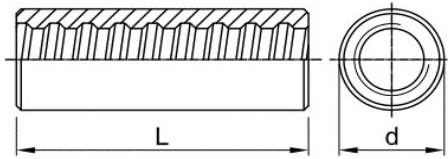
Spherical Hex Nut

SW100*145mm,1.88kg,45#



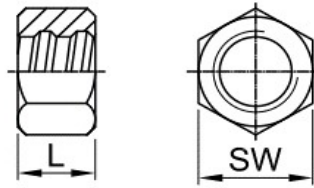
Coupler

D114*L300mm,15.89kg,45#



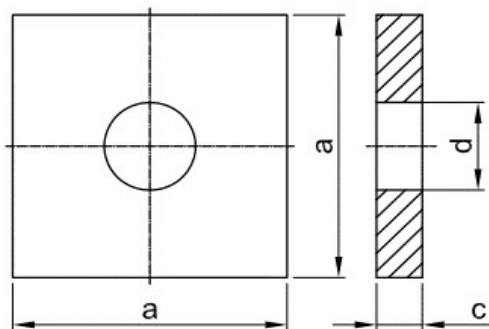
Lock Nut

SW100*70mm,3.03kg,45#



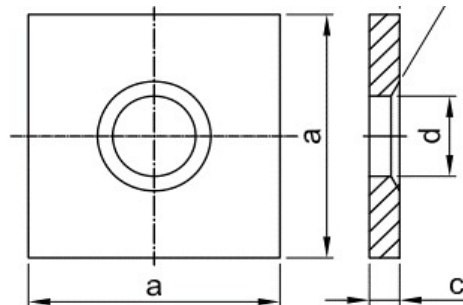
Anchor Plate

265*265*60mm,30.6kg,Q235B



Spherical Anchor

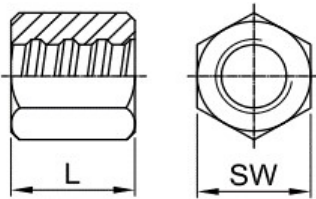
Plate:265*265*60mm,30.6kg,Q235B



Grade 930/1080Mpa

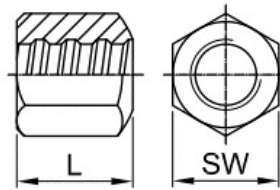
Flat Hex Nut

SW100*145mm,1.89kg,40Cr



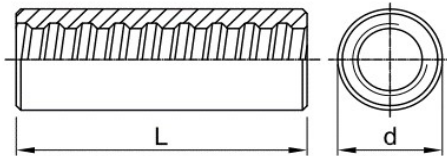
Spherical Hex Nut

SW100*145mm,1.88kg,40Cr



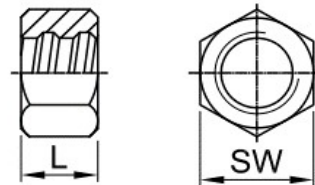
Coupler

D114*L300mm,15.89kg,40Cr



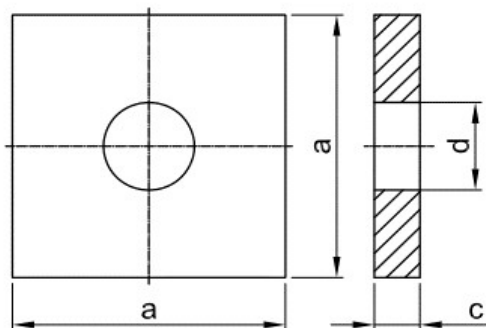
Lock Nut

SW100*70mm,3.03kg,40Cr



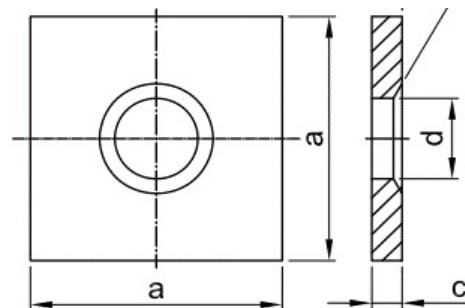
Anchor Plate

265*265*60mm,30.6kg,Q235B



Spherical Anchor

Plate:265*265*60mm,30.6kg,Q235B



Notes

all accessory sizes can be customized.