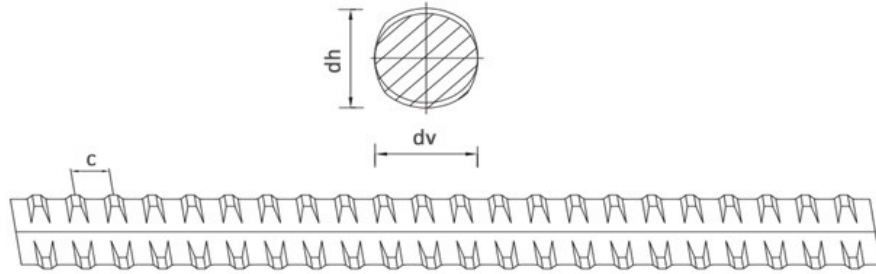


Hot Rolled Thread Bar Φ28mm Right Hand Thread
热轧 Φ28mm 右旋


dia [mm]	dh [mm]	dv [mm]	h [mm]	b [mm]	c [mm]	r	α
28	27.3	26.8	1.8	6.5	14	2	81.5°



Grade/Property	500/630 [Mpa]	670/800 [Mpa]	950/1050 [Mpa]
Yield/Tensile [KN]	308 / 388	413 / 493	585 / 647
Elongation [A%]	10	7	7
Weight [KG/M]	4.83		
A [mm ²]	616		

Applications

Tie Rod
Ground anchor
Soil Nailing
Geotechnical

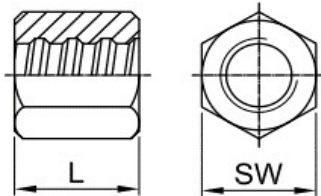
Surface Treatment

*Zinc Plated
*Hot Dipped Galvanized
*Epoxy coating
*H.D.G+Epoxy coating

Grade 500/630 Mpa

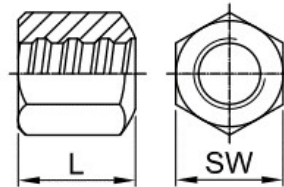
Flat Hex Nut

SW46*55mm,0.48kg,45#



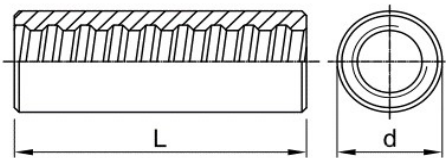
Spherical Hex Nut

SW46*55mm,0.47kg,45#



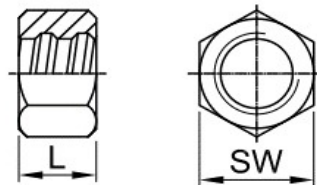
Coupler

d45*L125mm,0.85kg,45#



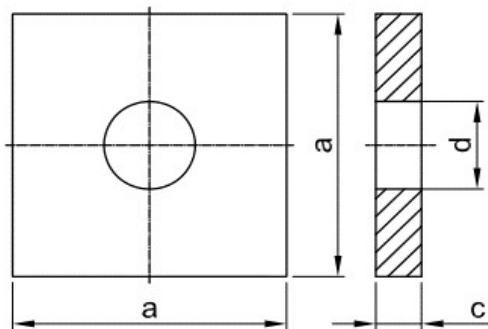
Lock Nut

SW41*25mm,0.15kg,45#



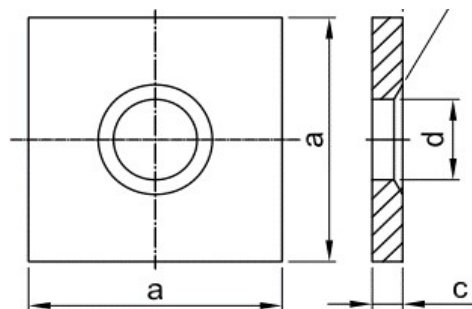
Anchor Plate

100*100*15mm,1.07kg,Q235B



Spherical Anchor

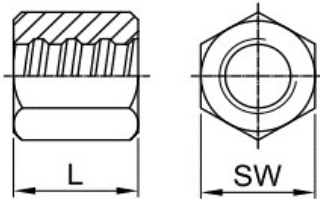
Plate:100*100*15mm,1.05kg,Q235B



Grade 670/800 Mpa

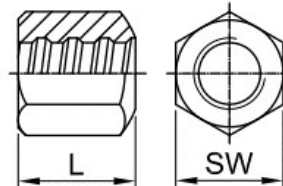
Hex Nut

SW50*60mm,0.67kg,45#



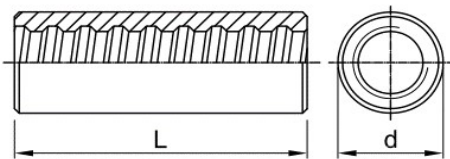
Spherical Hex Nut

SW50*60mm,0.65kg,45#



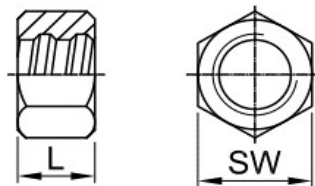
Coupler

d50*L140mm,1.37kg,45#



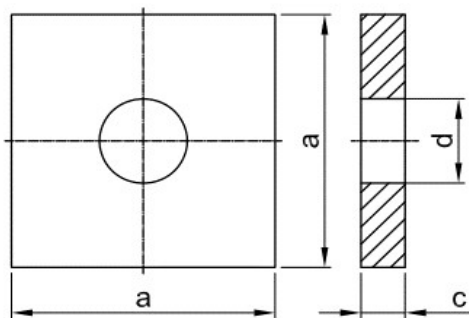
Lock Nut

SW46*55mm,0.5kg,45#



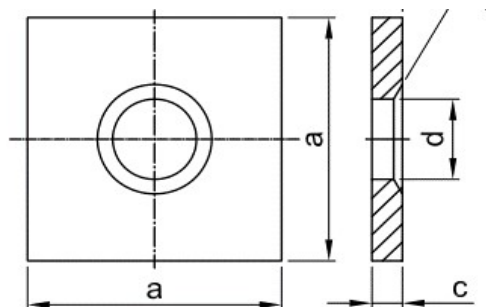
Anchor Plate

120*120*30mm,3.18kg,Q235B



Spherical Anchor Plate

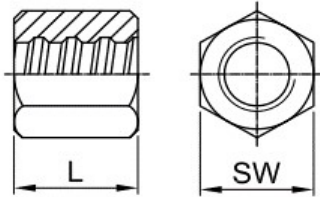
120*120*30mm,3.18kg,Q235B



Grade 950/1050Mpa

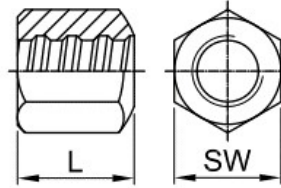
Hex Nut

SW55*70mm,1.1kg,45#



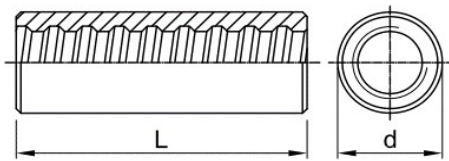
Spherical Hex Nut

SW55*70mm,1.08kg,45#



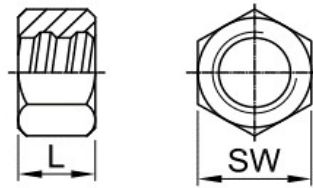
Coupler

d55*L160mm,2.22kg,45#



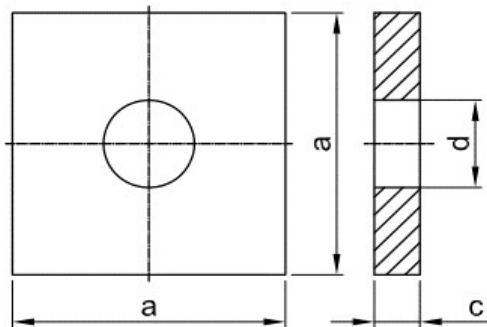
Lock Nut

SW50*32mm,0.39kg,45#



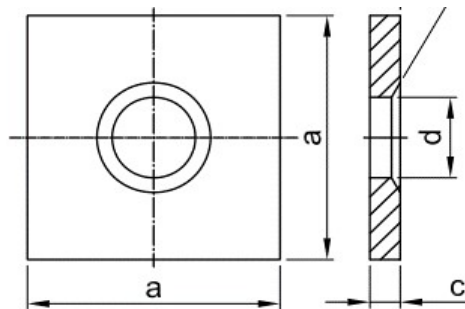
Anchor Plate

140*140*20mm,2.98kg,Q235B



Spherical Anchor Plate

140*140*20mm,2.94kg,Q235B



Notes

all accessory sizes can be customized.